



ERTEC Top Guard™ Smart Drainage Inlet Protection



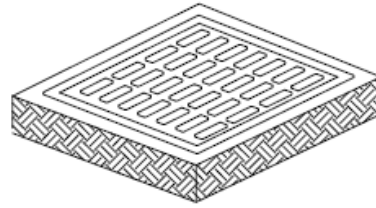
Joe Sherratt
510-521-0724
jsherratt@ertecsystems.com

Top Guard™ - Above Ground!

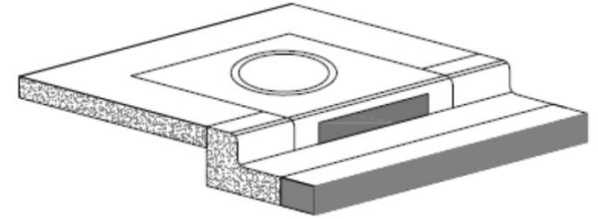


Better for:

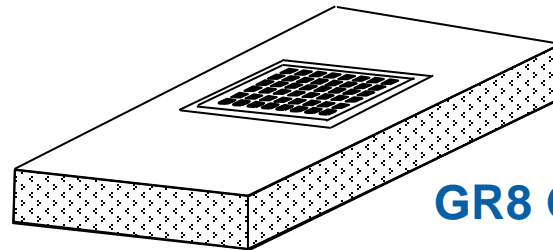
- ✓ Installation Speed
- ✓ Maintenance Speed
- ✓ Safety
- ✓ Inspection/Monitoring
- ✓ Removal Speed
- ✓ Total Costs



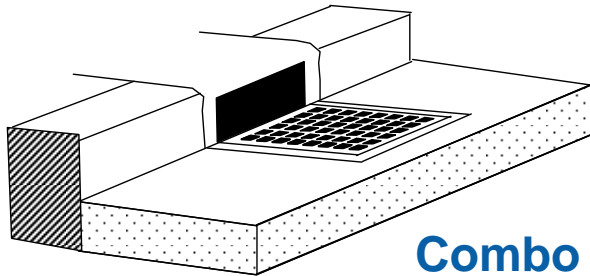
Drop Guard™



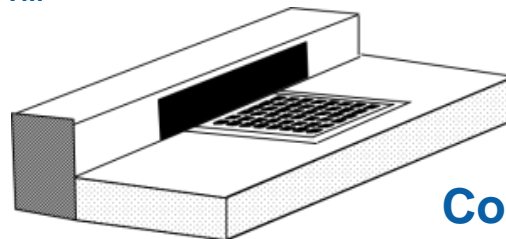
Curb Inlet Guard™



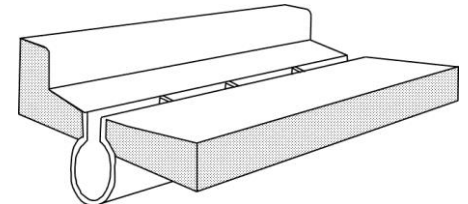
GR8 Guard™



Combo Guard™



Combo Guard T™

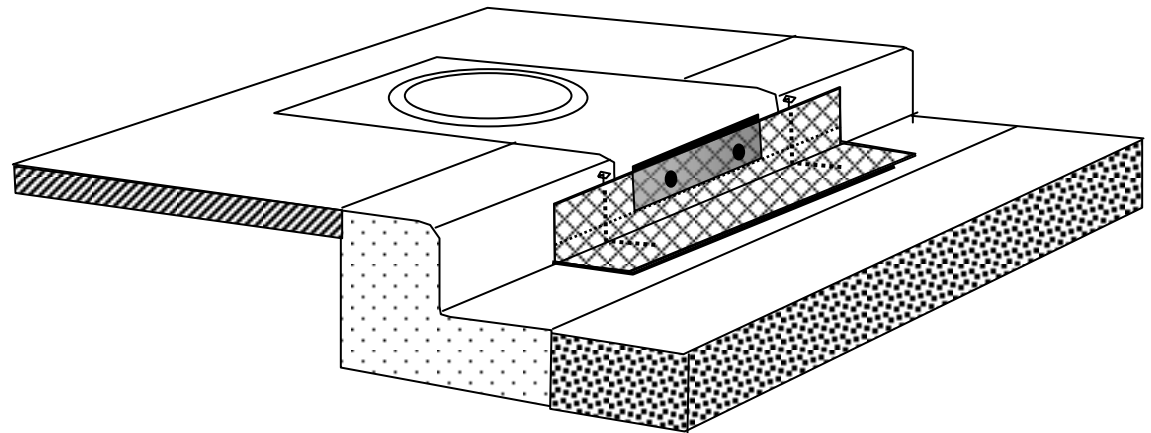
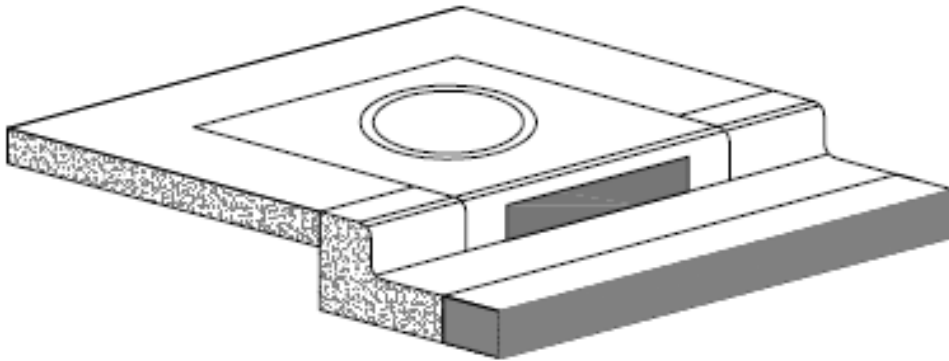


Slot Guard™

Curb Inlet Guard™



For curb openings



Available Sizes:

75" (Fits 5' curb opening)

88" (Fits 6' curb opening)

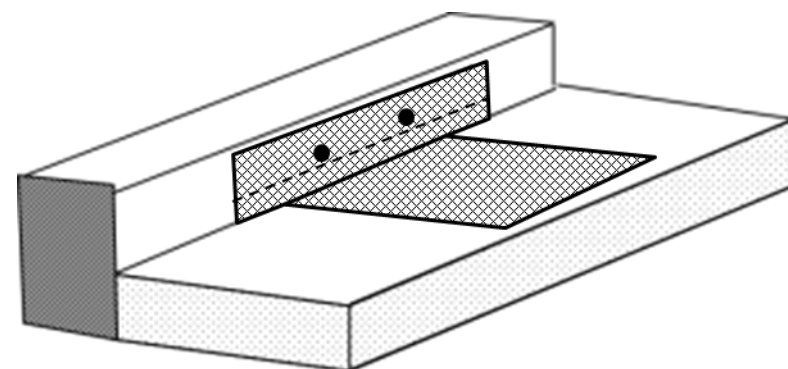
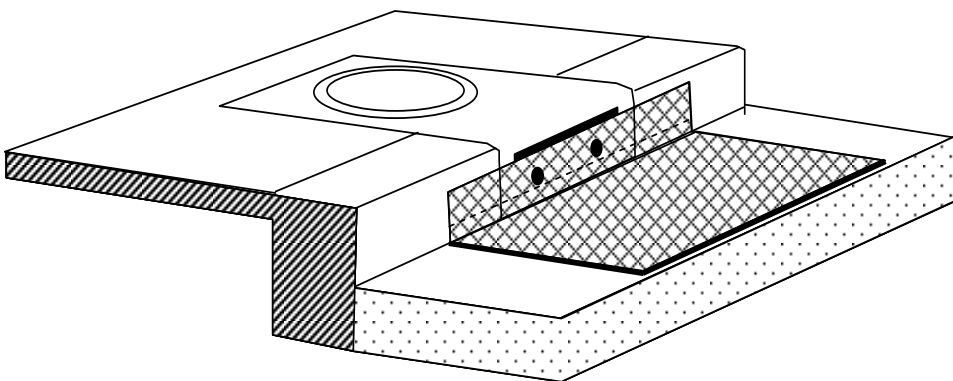
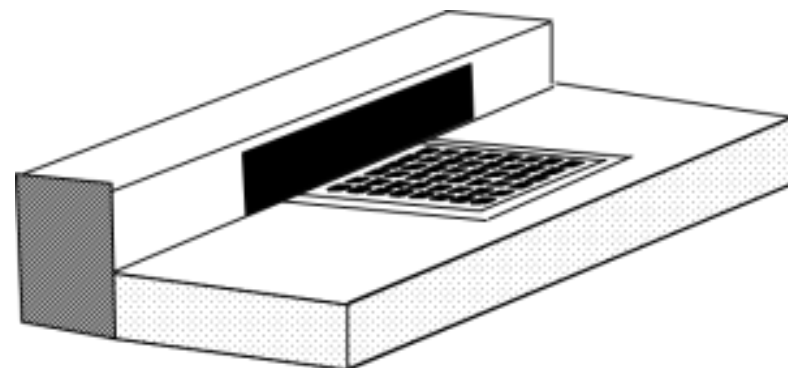
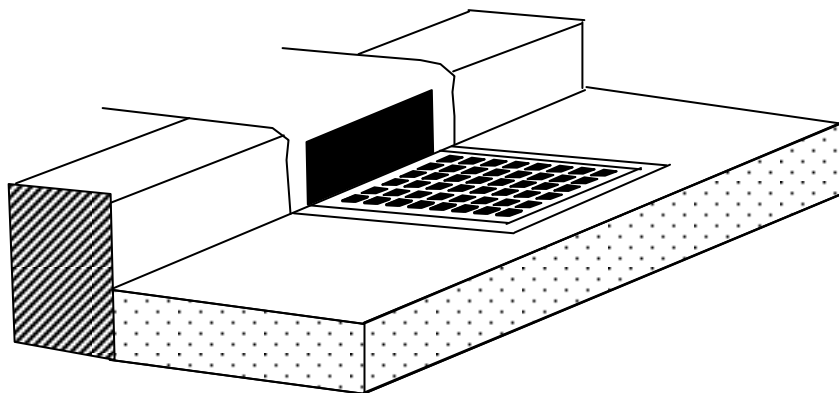


ERTEC Curb Inlet Guard™

Unlike other methods, Curb Inlet Guard is quick to clean before and after storms.

ERTEC Curb Inlet Guard™

Combo Guard™ & Combo Guard T™




Recommended configuration –

Gravel bags serve to slow water and cause sediment deposition.

Can be installed without gravel bags – see installation video on ERTEC web site



ERTEC Combo Guard™

A photograph showing a gutter system on a roof. The gutter is filled with debris, including dry leaves, twigs, and pieces of plastic or fabric. The gutter is made of a material with a textured, orange-brown surface. The surrounding roof surface is made of concrete or stone tiles. A text box in the upper right corner contains the text: "Easier to clean up after a storm. No grates to remove."

Easier to clean up after a storm.
No grates to remove.

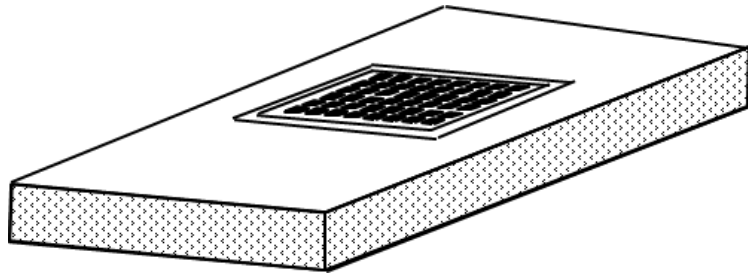
ERTEC Combo Guard™

ERTEC Combo or GR8 Guard™ vs. Insert Bags



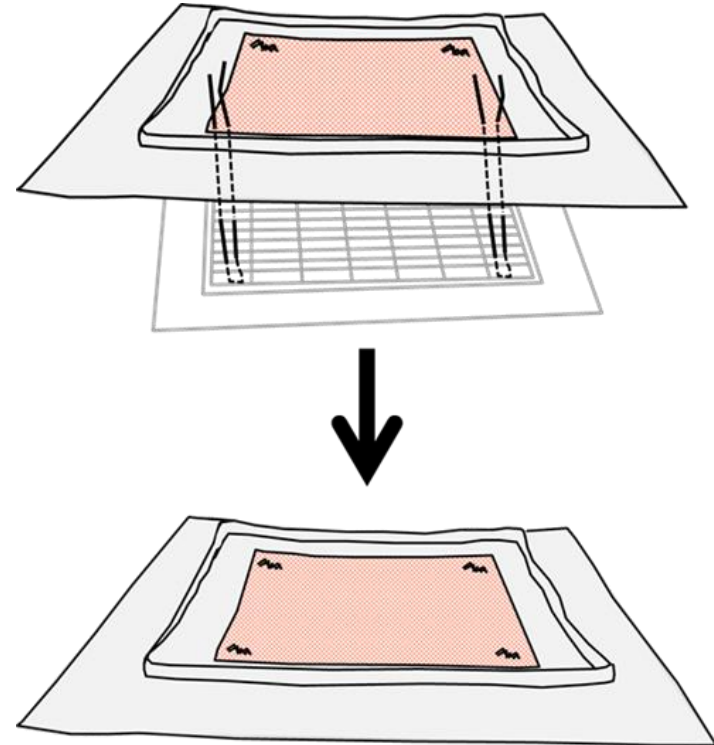
	Drain Insert Bag	ERTEC
Install Crew Size	2+	1
Risk of back, foot or hand injury?	High	Low
Single piece for both curb inlet and grate?	No	Yes
Easy Cleaning?	No	Yes
Easy Inspection?	No	Yes

ERTEC GR8 Guard™



Protection for:

- Flat grates on paved surfaces
- Long lasting
- Designed for safety



ERTEC GR8 Guard™



GR8 and Combo Guard™ - Sizes



Combo Guard™

CG 28x22	Fits up to 23x19 Grate
CG 36x18.5	Fits up to 36x18 Grate
CG 48x18.5	Fits up to 40x18 Grate
CG 48x22	Fits up to 40x18 Grate
CG 48x27	Fits up to 40x24 Grate
CG 48x30	Fits up to 42x28 Grate

GR8 Guard™

GG 12x12	Fits up to 12x12 Grate
GG 20x20	Fits up to 20x20 Grate
GG 28x28	Fits up to 28x28 Grate
GG 36x24	Fits up to 36x24 Grate
GG 36x36	Fits up to 36x36 Grate
GG 42x28	Fits up to 42x28 Grate
GG 48x24	Fits up to 48x24 Grate
GG 48x36	Fits up to 48x36 Grate
GG 48x48	Fits up to 48x48 Grate

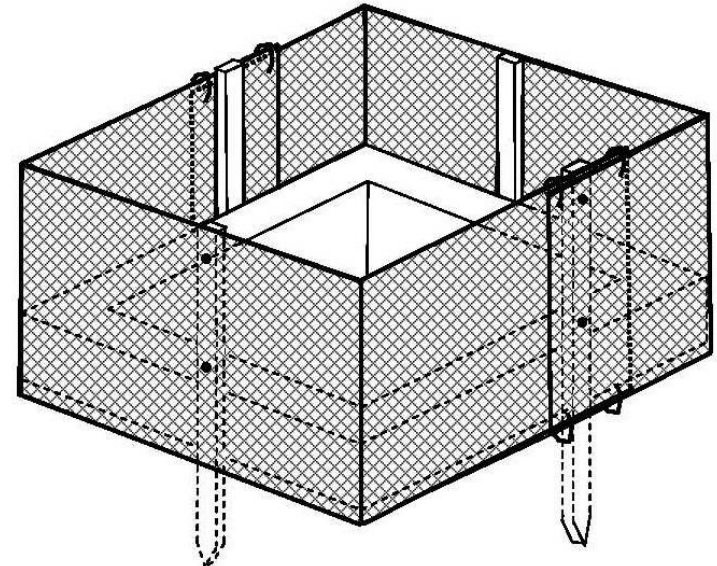
ERTEC Drop Guard™



Available Sizes:
12" H x 7' Panels
15" H x 7' Panels

For unpaved field drop inlets

- Fast installation
- Lower total cost
- Reusable
- Compact shipping and storage



ERTEC Drop Guard™



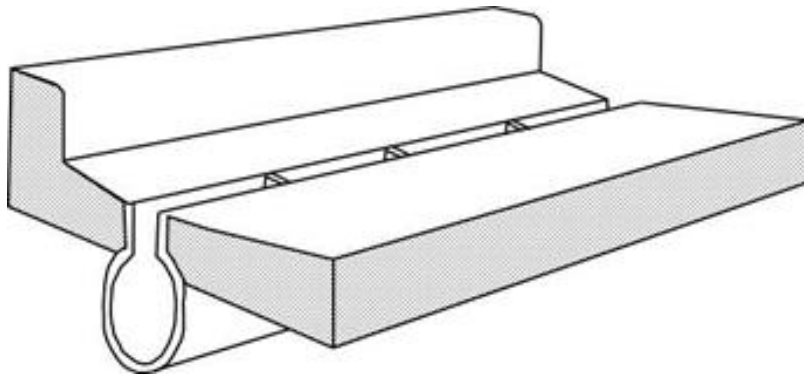


Drop Guard™

ERTEC Slot Guard™



For slotted drain inlets



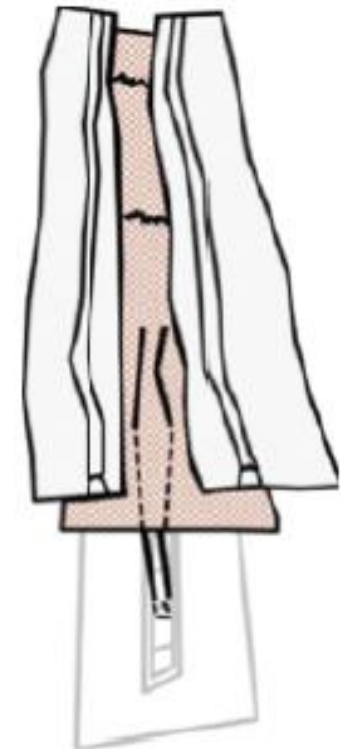
Available Sizes:

84x6

84x12

84x15

84x20



ERTEC Slot Guard Guard™



Protection for:

- Slot or Trench Drains



ERTEC Slot Guard™





Visit

www.ertecsystems.com

Joe Sherratt

510-521-0724

Cell: 510-461-0314

jsherratt@ertecsystems.com