

ScreenBox

The Fabco ScreenBox is a retrofit filter insert designed for installation into new and existing storm drain inlets or catch basin inserts. It is a new addition to the industry leading line of catch basin insert products manufactured by Fabco.



ScreenBox

The design traps sediment and debris, all while allowing runoff water to pass through the filter and exit through the storm drain system. The Screen Box can be used for many typical applications, such as parking lots, commercial properties, roadway surfaces as well as stormwater “hot spots,” such as transportation centers, vehicle maintenance facilities, gas stations/fueling locations and industrial applications.



ScreenBox

The Screen Box frame is manufactured from high strength 5000 series aluminum to resist cracking, abrasion, and to survive severe temperature swings. The Screen Box also includes quality stainless steel wire screens and an adjustable mounting system that allows you to extend or contract the support flanges to adapt to the actual site conditions.

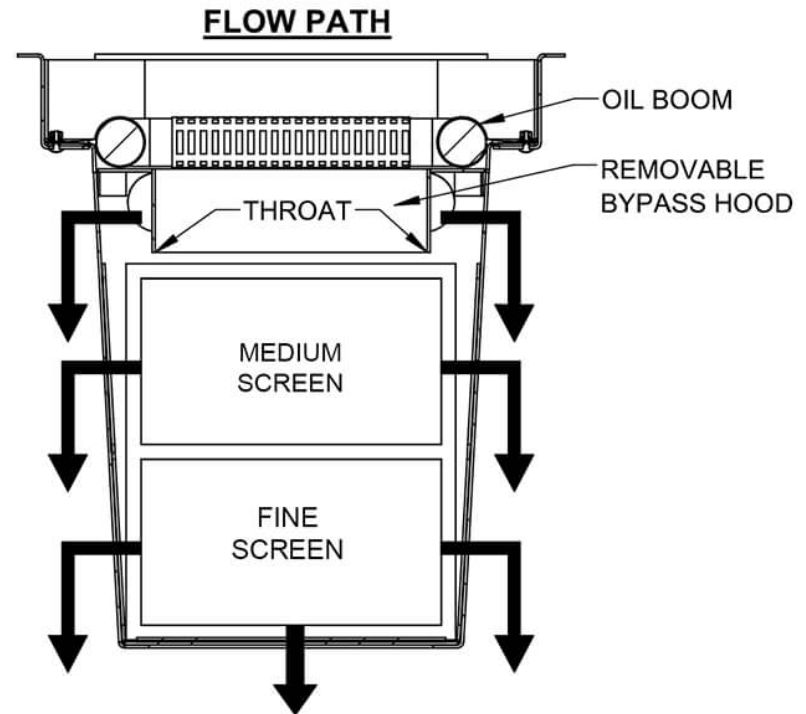


How Fabco's ScreenBox Functions

When stormwater enters the Fabco ScreenBox, it passes through and over an optional oil boom that is placed around the top perimeter of the box. After this initial pretreatment, the water flows down through the protected bypass hood into the lower filtration chamber.

As the water drops down into the chamber and is filtered through the screens, the sediment and debris collected is stored in a dry state. This reduces potential septic conditions while minimizing the material weight that must be removed during clean outs – saving space and disposal costs.

After many storm events, the collected debris can weigh up to several hundreds of pounds. Clean outs can be done manually by lifting the entire unit from the drain and dumping or more rapidly by using a commercial vacuum truck.



NOTES:

1. WEIGHT (EMPTY): 35 LB MAX
2. MATERIAL:
 - A) ADJUSTABLE FLANGES AND MAIN FRAME ASSEMBLY: ALUM., 5000 SERIES
 - B) WIRE SCREENS: STAINLESS STEEL, 304 OR EQUAL
 - C) SUPPORT HARDWARE: CRES 300 SERIES
3. A) PERFORMANCE CHARACTERISTICS:

OPENING DESCRIPTION	PERCENT OPEN AREA	WINDOWS AREA (SQ. IN)	OPEN AREA (SQ. IN)	FLOW RATE (CFS)
HOODED BYPASS	100%	132	132	4.5
TOP SCREEN	59%	198	117	3.0
MIDDLE SCREEN	68%	198	134.6	5.25
BOTTOM SCREEN	68%	93.25	63.4	2.85

DEBRIS CAPACITY: 2.4 CU-FT

- B) TOTAL FILTERED FLOW RATE: 4980 GPM (11.1 CFS)
 - C) FLOW RATE THROUGH BYPASS HOOD*: 2020 GPM (4.5 CFS)
- *NOTE THAT THIS IS THE REGULATING FLOW RATE THRU THE FILTER.

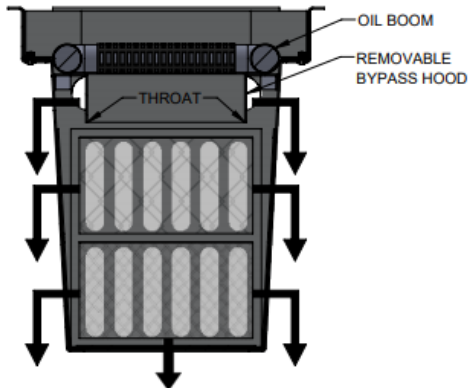
4. DESIGNED TO FIT CLEAR OPENING RANGE:

- A) MINIMUM SIZE: 21" X 21"
- B) MAXIMUM SIZE: 23" X 23"

5. RECOMMENDED MINIMUM VAULT DEPTH 2-IN BELOW BOTTOM SCREEN

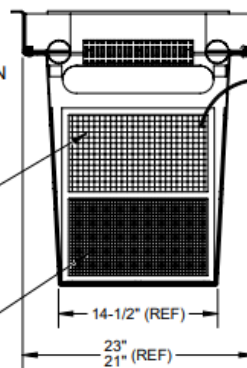
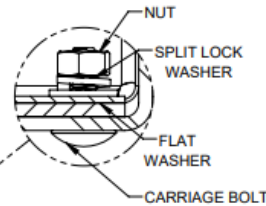
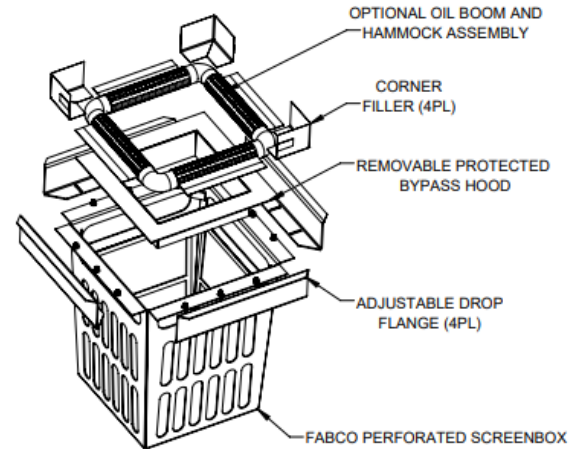
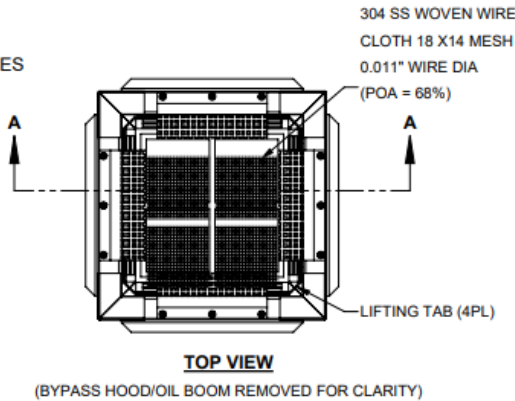
6. TYPICAL INSTALLATION: REMOVE STORM GRATE, MEASURE CATCH BASIN CLEAR OPENING AND ADJUST FLANGES TO REST ON GRATE SUPPORT LEDGE, PLACE SCREEN-BOX IN THE DRAIN OPENING SO THE ADJUSTABLE FLANGES ARE RESTING ON THE GRATE SUPPORT LEDGE, INSTALL CORNER FILL PIECES, USE PROVIDED ALUMINUM TAPE TO COVER ANY EXPOSED ADJUSTMENT SLOTS. REINSTALL STORM GRATE DIRECTLY ON SCREEN-BOX SUPPORT FLANGES.

FLOW PATH

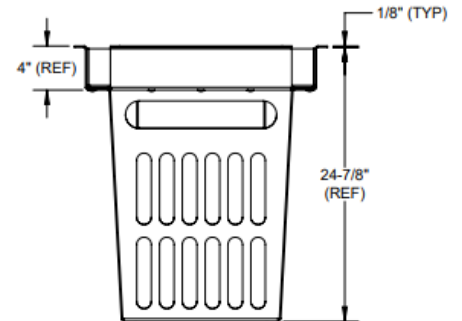


304 SS WOVEN WIRE CLOTH 10 X10 MESH 0.025" WIRE DIA (POA = 56%)

304 SS WOVEN WIRE CLOTH 18 X14 MESH 0.011" WIRE DIA (POA = 68%)



SECTION A-A



PROPRIETARY AND CONFIDENTIAL
 THIS DOCUMENT IS THE PROPERTY OF FABCO INDUSTRIES AND IS LOANED TO YOU WITH THE EXPRESS CONDITION THAT IT AND THE INFORMATION CONTAINED IN IT ARE NOT TO BE USED, COPIED, OR REPRODUCED IN WHOLE OR IN PART FOR ANY PURPOSE WITHOUT THE EXPRESS WRITTEN CONSENT OF FABCO INDUSTRIES AND THAT NO RIGHT IS GRANTED TO DISCLOSE OR SOLICIT ANY INFORMATION CONTAINED IN SAID DOCUMENT.

UNLESS OTHERWISE SPECIFIED REMOVE ALL BURRS BREAK SHARP EDGES 002 - 030 FILETS 60 MAX DIMENSIONS ARE IN INCHES AND INCLUDE CHEMICALLY APPLIED OR PLATED FINISHES

TOLERANCES:
 DEC. 00 ± .01
 DEC. 00 ± .005
 FRACT. ± .005
 ANGLE ± 2°

APPROVAL: [Signature] DATE: 7/22/2019

OWN: R.W. CHDR: J.P. ENGR: J.P. LPO: [Signature]

PROJECT: FABCO INDUSTRIES, INC. 24 CENTRAL DRIVE FARMINGDALE, NY 11735

MATERIAL: SEE NOTES

WWW.FABCO-INDUSTRIES.COM

TITLE: PERFORATED SCREENBOX C.S. 22" X 22"	
SIZE: 100% 300	300
B 10495-2-000	C
SCALE: NONE	SHEET 1 OF 1

