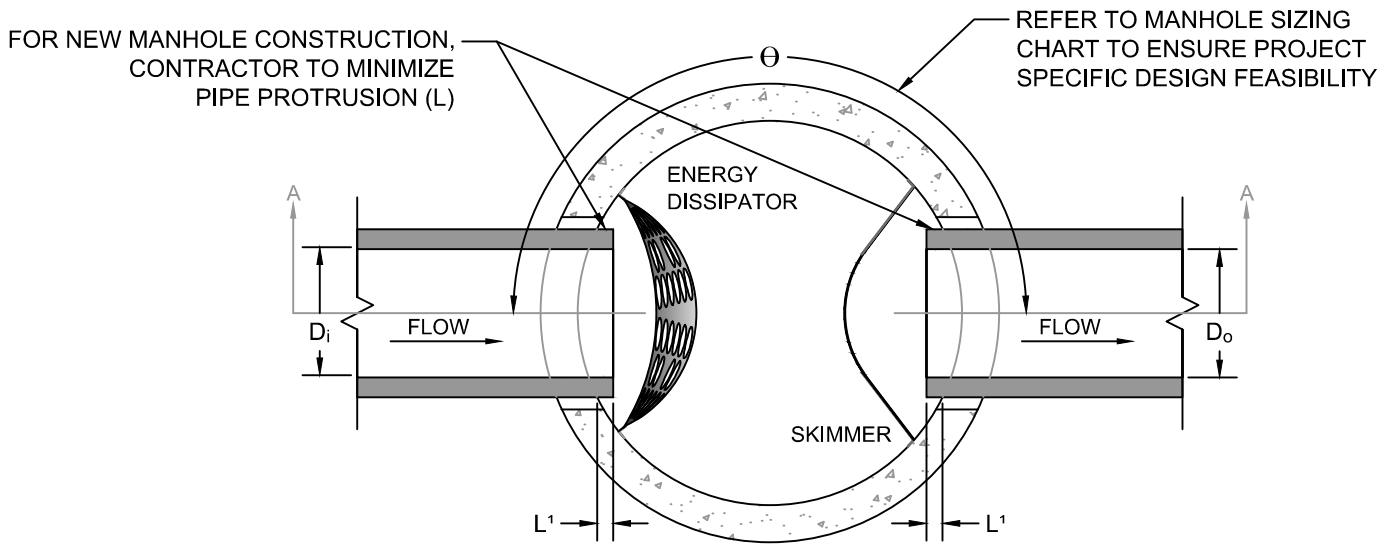
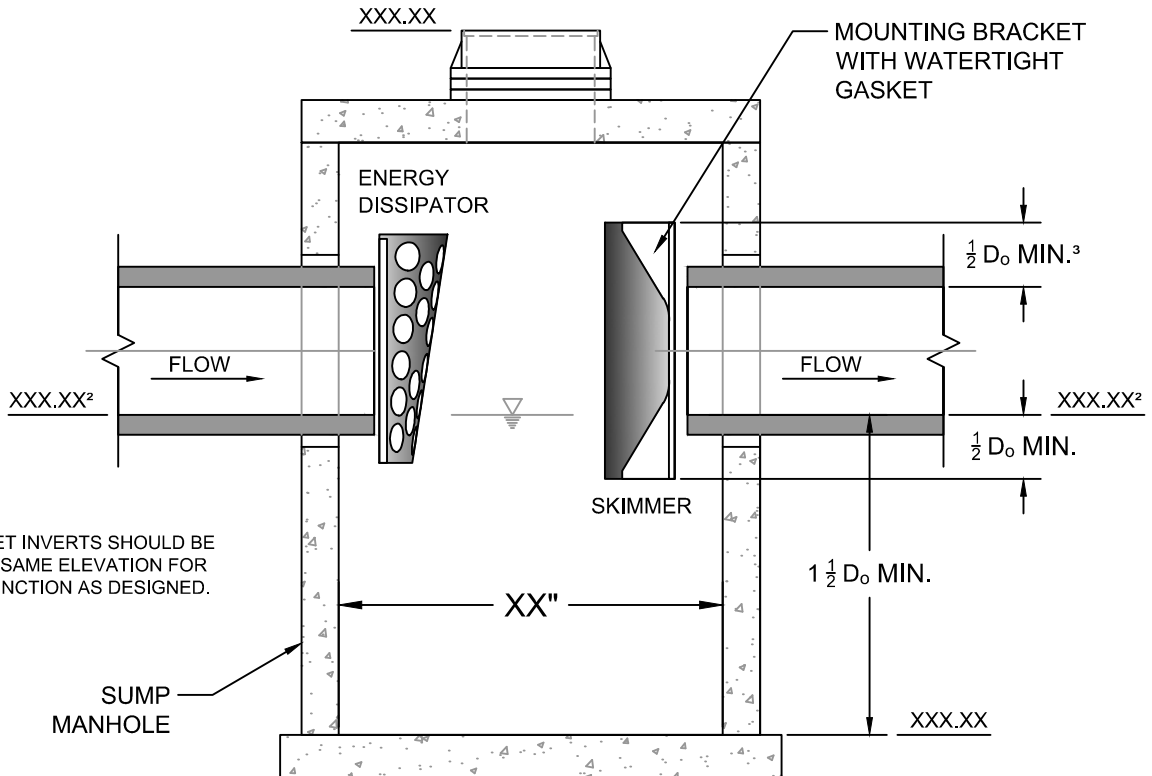


## PLAN VIEW



NOTE 1: STOCK COMPONENTS ARE DESIGNED TO ACCOMMODATE A 6" CONCRETE PIPE PROTRUSION (L, MEASURED AT SIDE OF PIPE). FOR CUSTOM DESIGNS, AND/OR PROJECT SPECIFIC DETAILS, CONTACT MOMENTUM.

## CROSS SECTION AA



NOTE 2: INLET AND OUTLET INVERTS SHOULD BE AT APPROXIMATELY THE SAME ELEVATION FOR THE PRESERVER™ TO FUNCTION AS DESIGNED.

NOTE 3: STOCK SKIMMERS HAVE A FREEBOARD DEPTH OF 1/2 Do. FOR GREATER FREEBOARD DEPTHS, DESIGNERS CAN UPSIZE THE SKIMMER, OR USE A CUSTOMIZED SKIMMER. FOR CUSTOM DESIGNS, AND/OR PROJECT SPECIFIC DETAILS, CONTACT MOMENTUM.

Not to Scale Distributed by: Bowman Construction Supply, 10801 E. 54th Avenue, Denver, CO 80239; Phone: (303) 696-8960



**Momentum**  
ENVIRONMENTAL

SIMPLE • EFFECTIVE • AFFORDABLE • STORMWATER SOLUTIONS

877-773-0073 • www.MomentumEnv.com

**THE PRESERVER™**  
STANDARD DETAIL

ENERGY DISSIPATOR  
WITH SKIMMER

MADE IN THE USA  
QUALITY MATERIALS  
• 100% recycled HDPE  
• Stainless steel brackets  
• Stainless steel hardware

**CONCEPTUAL PLAN DISCLAIMER:**

THIS GENERIC DETAIL DOES NOT ENCOMPASS THE SIZING, FIT, AND APPLICABILITY OF THE PRESERVER FOR THIS SPECIFIC PROJECT. IT IS THE ULTIMATE RESPONSIBILITY OF THE DESIGN ENGINEER TO ASSURE THAT THE STORMWATER SYSTEM DESIGN IS IN FULL COMPLIANCE WITH ALL APPLICABLE LAWS AND REGULATIONS. MOMENTUM ENVIRONMENTAL LLC DOES NOT APPROVE PLANS, SIZING, OR SYSTEM DESIGNS. THE DESIGN ENGINEER IS RESPONSIBLE FOR ALL DESIGN DECISIONS.