

# StormSack Plus Rectangle

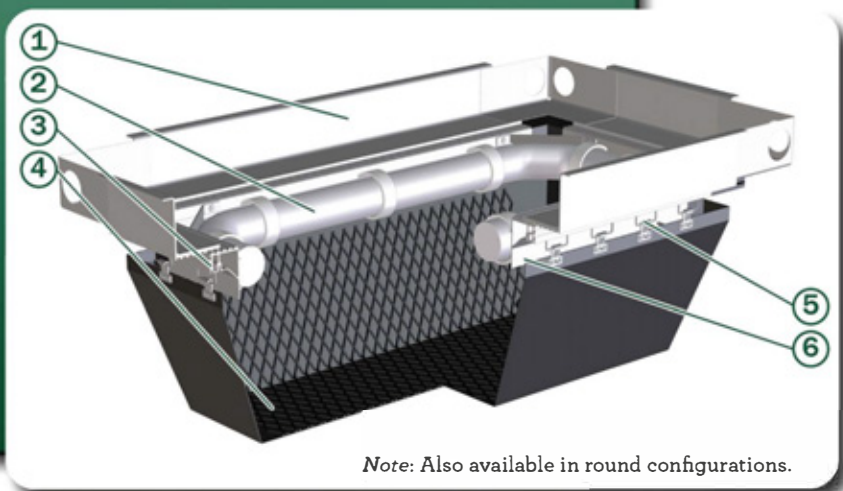
Using the latest in geotextile technology the StormSack offers high flow rates and is equipped with a hydrocarbon absorption boom. Filter bags are supplied with a reinforcement HDPE mesh liner to protect the filter bag during maintenance activities.

Ideally suited for municipal storm drain retrofits, the StormSack's heavy duty construction and advanced features provide for easy installation and maintenance. Available in over 400 sizes, the StormSack also comes standard with a patented dovetailed aluminum flange enabling quick sizing adjustments during installation. Periodic maintenance of the StormSack is quick and easy - trash and debris can be removed from the unit at the street level with a vactor truck or a vacuum hose attached to a sweeper truck. Extracted waste has minimal water content reducing disposal weight and volume.



## Features/Benefits

1. Durable, aluminum frame construction has 15-year service life
2. Integrated oil boom effectively absorbs hydrocarbons
3. Patented dovetailed flange allows for 5" of length/width adjustment during installation
4. Polypropylene netting protects sack from suction hose during maintenance
5. Steel clips with locking tabs hold replaceable filter sack in place
6. Baffled bypass traps floatables



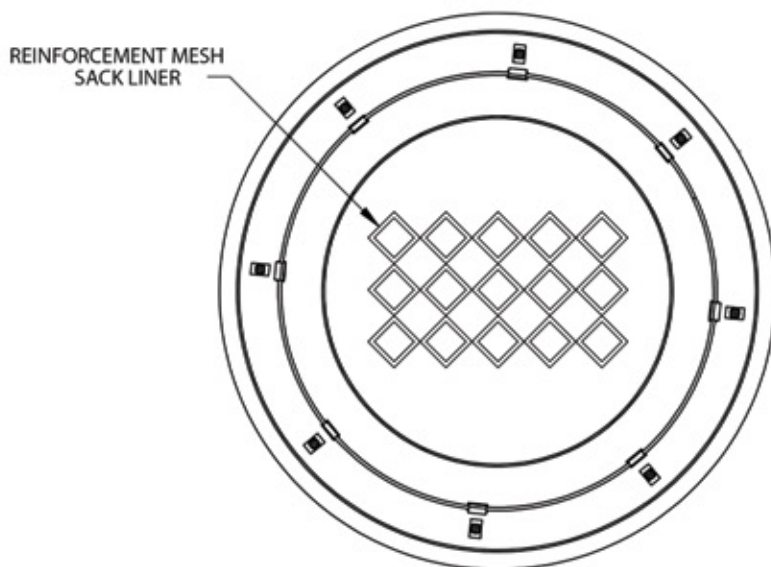
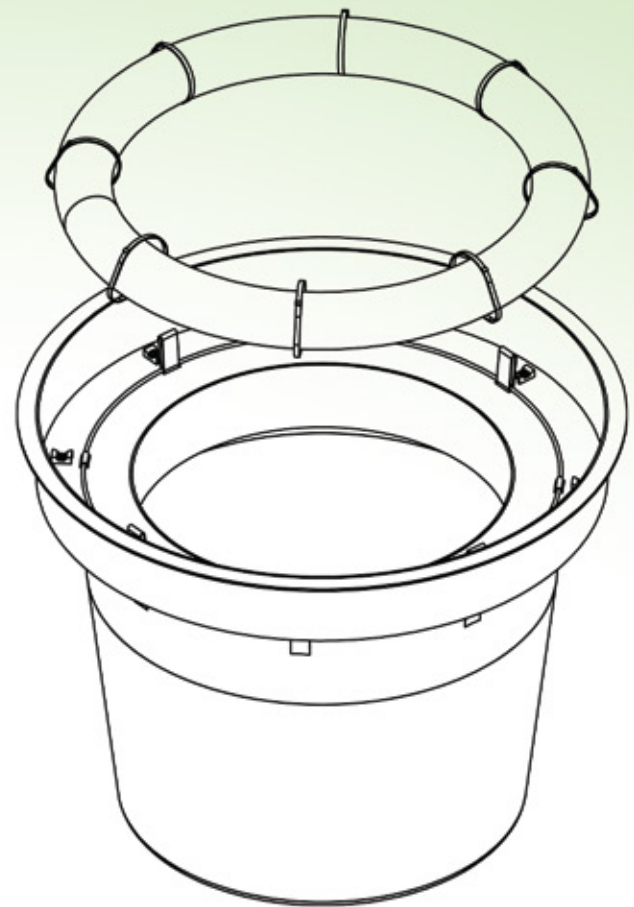
Note: Also available in round configurations.

Application	Regulatory Issue	Target Pollutants
Municipal Storm Drain Retrofits	MS4 Permit	Sediment, Trash, O&G
Commercial, Retail, Residential	Stormwater Compliance	Sediment, Trash, O&G
Trash prone areas: sidewalks, Parks, water front areas	Trash TMDLs	Trash: bottles, cans, wrappers, cigarette butts
Scrap Metal yards, Transfer stations, Storage facilities	Industrial Multi-Sector General Permit	Sediment, Trash, O&G
Pre-Treatment for filtering vaults or Green Infrastructure	Municipal Stormwater Permit	Sediment, Trash, O&G
Construction Sediment, Erosion	Construction Stormwater Permit	Sediment, Erosion Control

# StormSack Plus Round

## Feature Summary

- Aluminum/HDPE plastic shroud pre-cut to 24", 26", 28", or 30".
- Two bag depths: 15" or 30" user specified
- Hydrocarbon treatment capability
- Replaceable filter bags have an HDPE mesh liner for filter bag protection during cleanout
- Covered bypass retains trash during extreme rain events
- Lifting tabs provided for StormSack removal and/or cleanout
- Custom sized mounting system



## Options

- Adapter plates for drain inlet diameters greater than 30"
- Heavy duty all metal mounting systems - recommended for use when the filter system must be mechanically lifted out of the drain for maintenance.
- Heavy Duty 3-Layer filter sacks recommended for use when the filter system must be mechanically lifted out of the drain for maintenance.